



JDENTAL CARE

just smile



MADE IN ITALY



BoneTissue Implant System

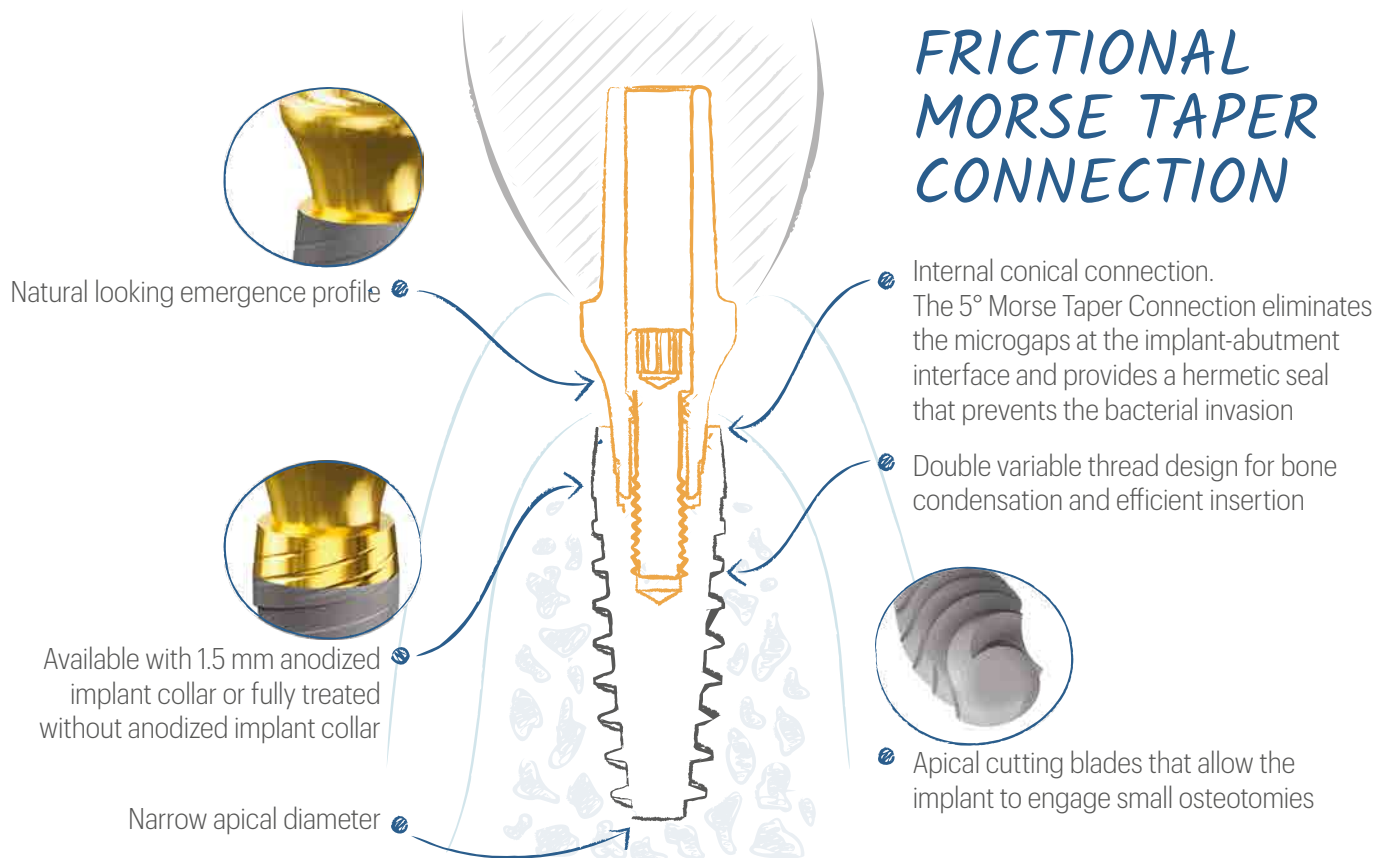
JD ICON  **PLUS**

BONE TISSUE IMPLANT SYSTEM

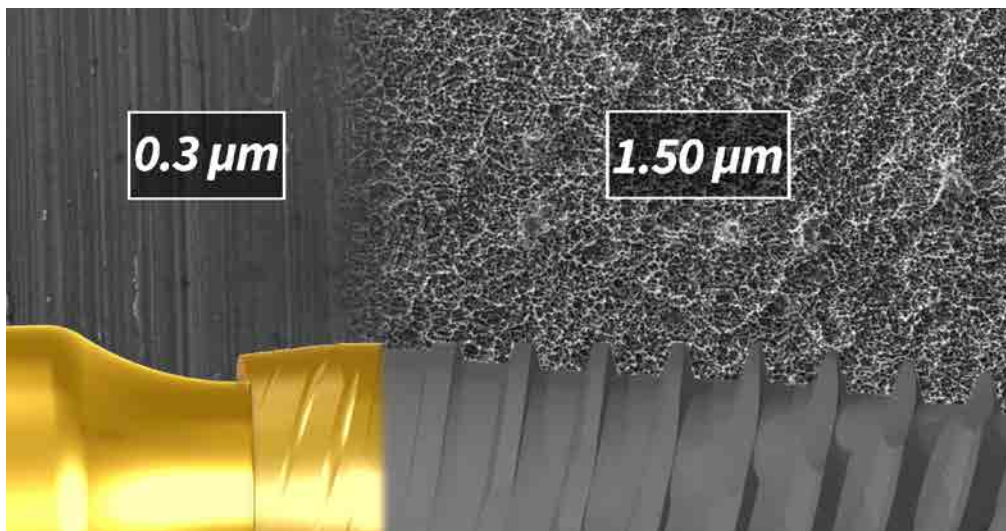
ONE CONNECTION for all sizes of fixtures and a simplified restorative workflow

EXCELLENT PRIMARY STABILITY even in small osteotomies

COMPLETE VARIETY OF PROSTHETIC OPTIONS for best aesthetic results



BONE TISSUE SURFACE TREATMENT



The JDIcon Plus dental implants are available in two versions:

1. Fully treated with SLA surface treatment
2. With 1.5 mm anodized implant collar and the body surface treated with SLA

The S.L.A. surface is obtained through the procedure of sandblasting with large grit and acid-etching (SLA) which guarantees an optimal microtopography of the implant surface that improves the osteointegration.

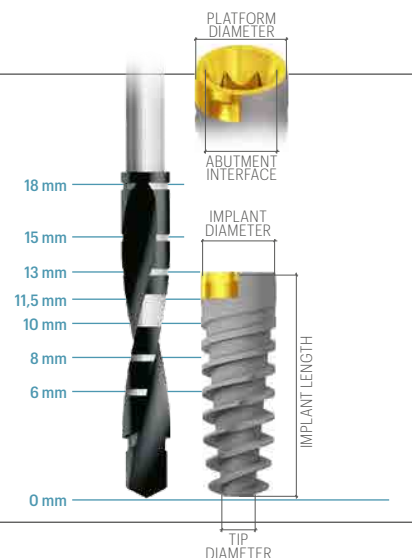
Note: The picture above is generated by a Scanning electron microscope (SEM) and shows the roughness values, expressed as Ra, of the two surfaces of the implant treated with S.L.A. and Anodization.

PRODUCT SPECIFICATIONS

The JDIcon Plus dental implants are available in the diameters and lengths shown in the following table

| IMPLANT DIAMETER | TIP DIAMETER | ABUTMENT INTERFACE | PLATFORM DIAMETER | LENGTH | | | | | | |
|------------------|--------------|--------------------|-------------------|--------|---|----|------|----|----|----|
| | | | | 6 | 8 | 10 | 11,5 | 13 | 15 | 18 |
| Ø 3,7 | 2,4 | 3,1 | 3,7 | | 8 | 10 | 11,5 | 13 | 15 | 18 |
| Ø 4,3 | 2,8 | 3,1 | 4,0 | 6 | 8 | 10 | 11,5 | 13 | 15 | 18 |
| Ø 5,0 | 3,2 | 3,1 | 4,8 | 6 | 8 | 10 | 11,5 | 13 | | |

Note: all measurements in mm



PRODUCT CATALOGUE

JDIcon Plus:

Ø 3,7

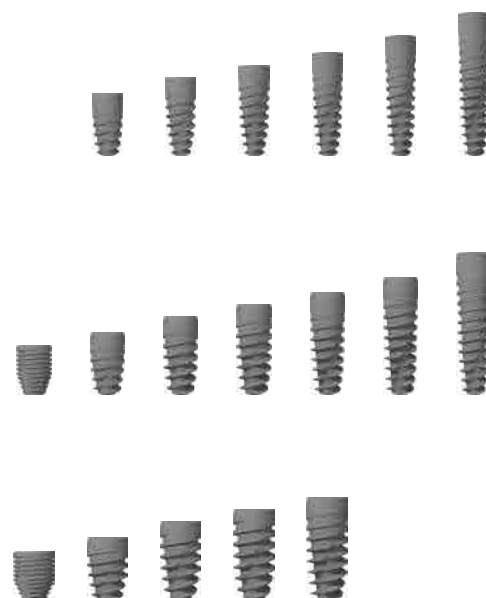
- IC37080. JDIcon Plus Ø 3,7 L 8
- IC37100. JDIcon Plus Ø 3,7 L 10
- IC37115. JDIcon Plus Ø 3,7 L 11,5
- IC37130. JDIcon Plus Ø 3,7 L 13
- IC37150. JDIcon Plus Ø 3,7 L 15
- IC37180. JDIcon Plus Ø 3,7 L 18

Ø 4,3

- IC43060. JDIcon Plus Ø 4,3 L 6
- IC43080. JDIcon Plus Ø 4,3 L 8
- IC43100. JDIcon Plus Ø 4,3 L 10
- IC43115. JDIcon Plus Ø 4,3 L 11,5
- IC43130. JDIcon Plus Ø 4,3 L 13
- IC43150. JDIcon Plus Ø 4,3 L 15
- IC43180. JDIcon Plus Ø 4,3 L 18

Ø 5,0

- IC50060. JDIcon Plus Ø 5,0 L 6
- IC50080. JDIcon Plus Ø 5,0 L 8
- IC50100. JDIcon Plus Ø 5,0 L 10
- IC50115. JDIcon Plus Ø 5,0 L 11,5
- IC50130. JDIcon Plus Ø 5,0 L 13



JDIcon Plus (anodised collar):

Ø 3,7

- IC37080. JDIcon Plus Anodized Collar Ø 3,7 L 8
- IC37100. JDIcon Plus Anodized Collar Ø 3,7 L 10
- IC37115. JDIcon Plus Anodized Collar Ø 3,7 L 11,5
- IC37130. JDIcon Plus Anodized Collar Ø 3,7 L 13
- IC37150. JDIcon Plus Anodized Collar Ø 3,7 L 15
- IC37180. JDIcon Plus Anodized Collar Ø 3,7 L 18

Ø 4,3

- IC43060. JDIcon Plus Anodized Collar Ø 4,3 L 6
- IC43080. JDIcon Plus Anodized Collar Ø 4,3 L 8
- IC43100. JDIcon Plus Anodized Collar Ø 4,3 L 10
- IC43115. JDIcon Plus Anodized Collar Ø 4,3 L 11,5
- IC43130. JDIcon Plus Anodized Collar Ø 4,3 L 13
- IC43150. JDIcon Plus Anodized Collar Ø 4,3 L 15
- IC43180. JDIcon Plus Anodized Collar Ø 4,3 L 18

Ø 5,0

- IC50060. JDIcon Plus Anodized Collar Ø 5,0 L 6
- IC50080. JDIcon Plus Anodized Collar Ø 5,0 L 8
- IC50100. JDIcon Plus Anodized Collar Ø 5,0 L 10
- IC50115. JDIcon Plus Anodized Collar Ø 5,0 L 11,5
- IC50130. JDIcon Plus Anodized Collar Ø 5,0 L 13



Cover screw:

ICCS. Cover Screw JDIcon Plus



Healing Abutment:

ICHA43. Healing Abutment Ø 4.0 H 3.0 JDIcon Plus
 ICHA45. Healing Abutment Ø 4.0 H 5.0 JDIcon Plus
 ICHA47. Healing Abutment Ø 4.0 H 7.0 JDIcon Plus
 ICHA53. Healing Abutment Ø 5.0 H 3.0 JDIcon Plus
 ICHA55. Healing Abutment Ø 5.0 H 5.0 JDIcon Plus
 ICHA57. Healing Abutment Ø 5.0 H 7.0 JDIcon Plus
 ICHA63. Healing Abutment Ø 6.0 H 3.0 JDIcon Plus
 ICHA65. Healing Abutment Ø 6.0 H 5.0 JDIcon Plus
 ICHA67. Healing Abutment Ø 6.0 H 7.0 JDIcon Plus
 ICHA753. Healing Abutment Ø 7.5 H 3.0 JDIcon Plus
 ICHA755. Healing Abutment Ø 7.5 H 5.0 JDIcon Plus



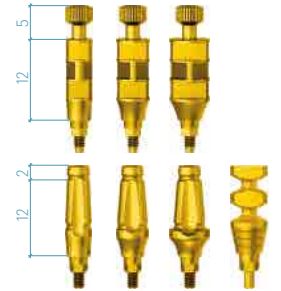
Impression Coping:

OPEN TRAY

ICICOT4C. Impression Coping Open Tray Ø 4.0 JDIcon Plus
 ICICOT5C. Impression Coping Open Tray Ø 5.0 JDIcon Plus
 ICICOT6C. Impression Coping Open Tray Ø 6.0 JDIcon Plus

CLOSED TRAY

ICICCT4C. Impression Coping Closed Tray Ø 4.0 JDIcon Plus
 ICICCT5C. Impression Coping Closed Tray Ø 5.0 JDIcon Plus
 ICICCT6C. Impression Coping Closed Tray Ø 6.0 JDIcon Plus
 ICICCT1C. Impression Coping Closed Tray Direct Press Fit JDIcon Plus



Temporary Abutment:

ICTAEC. Temporary Abutment Engaging JDIcon Plus
 ICTANEC. Temporary Abutment Non Engaging JDIcon Plus

Torque recommended 30 Ncm



Straight Abutment:

ICA130C. Straight Abutment Ø 4.5 H 1.5 JDIcon Plus
 ICSA4520C. Straight Abutment Ø 4.5 H 2.0 JDIcon Plus
 ICSA4520NEC. Straight Abutment Non Engaging Ø 4.5 H 2.0 JDIcon Plus
 ICSA4540C. Straight Abutment Ø 4.5 H 4.0 JDIcon Plus
 ICSA4540NEC. Straight Abutment Non Engaging Ø 4.5 H 4.0 JDIcon Plus
 ICSA5020C. Straight Abutment Ø 5.0 H 2.0 JDIcon Plus
 ICSA5020NEC. Straight Abutment Non Engaging Ø 5.0 H 2.0 JDIcon Plus
 ICSA5040C. Straight Abutment Ø 5.0 H 4.0 JDIcon Plus
 ICSA5040NEC. Straight Abutment Non Engaging Ø 5.0 H 4.0 JDIcon Plus
 ICSA6020C. Straight Abutment Ø 6.0 H 2.0 JDIcon Plus
 ICSA6040C. Straight Abutment Ø 6.0 H 4.0 JDIcon Plus

Torque recommended 30 Ncm



Torque recommended 30 Ncm



GP Abutment:

ICGP40C. GP Abutment Ø 4.0 JDIcon Plus
 ICGP50C. GP Abutment Ø 5.0 JDIcon Plus
 ICGP60C. GP Abutment Ø 6.0 JDIcon Plus
 IC15GPAEC. GP Abutment 15° JDIcon Plus
 IC25GPAEC. GP Abutment 25° JDIcon Plus

Torque recommended 30 Ncm



Anatomic Abutment:

IC15A15C. Anatomic Abutment Angulated 15° H 1.5 JDIcon Plus
 IC15A30C. Anatomic Abutment Angulated 15° H 3.0 JDIcon Plus
 IC25A15C. Anatomic Abutment Angulated 25° H 1.5 JDIcon Plus
 IC25A30C. Anatomic Abutment Angulated 25° H 3.0 JDIcon Plus

Torque recommended 30 Ncm



Cobalt-Chrome Abutment:

ICCCEC. Cobalt-Chrome Abutment Engaging JDIcon Plus
 ICCNEC. Cobalt-Chrome Abutment Non Engaging JDIcon Plus
 EVCACCNCEC. Cobalt-Chrome Conical Abutment Non Engaging JDEvolution


Torque recommended 30 Ncm



15 Ncm

Prosthetic screw:

| | |
|-------|--|
| ICS. | Prosthetic Screw JDIcon Plus |
| ICSA. | Prosthetic Screw Angulated JDIcon Plus |

Torque recommended 30 Ncm 

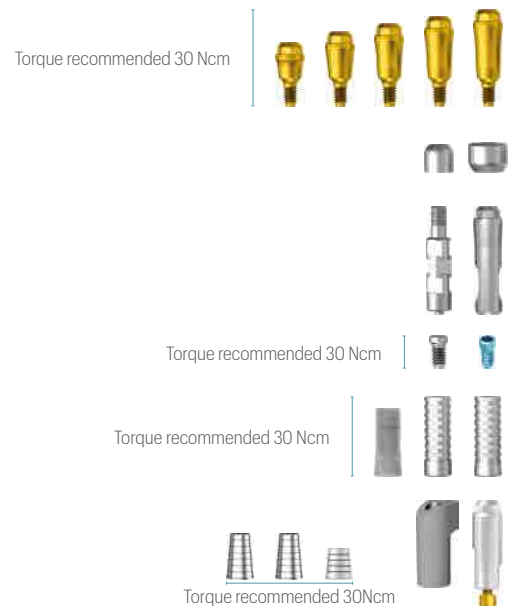
Extra Abutment:

| | |
|---------------|--|
| ICEXA5520C. | Straight Abutment Extra Ø 5.5 H 2.0 JDIcon Plus |
| ICEXA5540C. | Straight Abutment Extra Ø 5.5 H 4.0 JDIcon Plus |
| ICEXTIBC. | TiBase Extra Engaging Ø4.25 H 0.5 C 4.7 JDIcon Plus |
| ICEXTIBNEC. | TiBase TiBase Extra Non Engaging Ø4.25 H 0.5 C 4.7 JDIcon Plus |
| ICEXTIB15C. | TiBase Extra Engaging Ø4.25 H 1.5 C 4.7 JDIcon Plus |
| ICEXTIB15NEC. | TiBase Extra Non Engaging Ø4.25 H 1.5 C 4.7 JDIcon Plus |
| ICEXTIB30C. | TiBase Extra Engaging Ø4.25 H 3.0 C 4.7 JDIcon Plus |
| ICEXTIB30NEC. | TiBase Extra Non Engaging Ø4.25 H 3.0 C 4.7 JDIcon Plus |



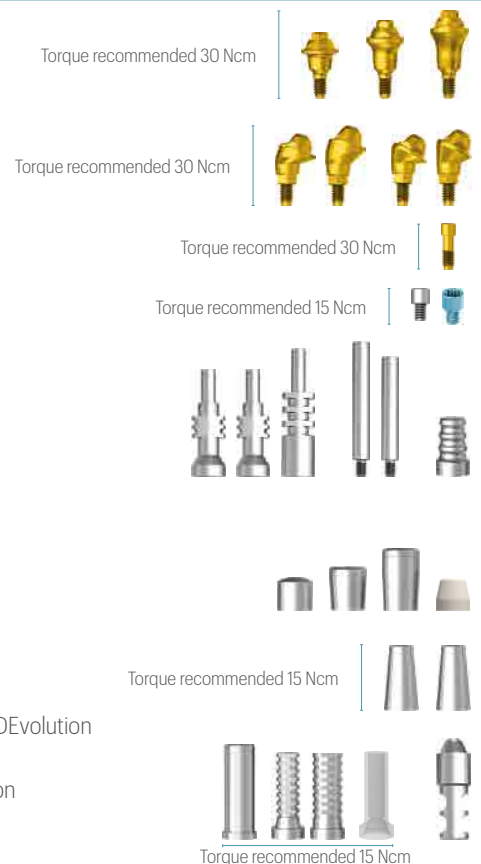
Octa Abutment:

| | |
|------------|---|
| ICOA15. | Octa Abutment H 1.5 JDIcon Plus |
| ICOA30. | Octa Abutment H 3.0 JDIcon Plus |
| ICOA40. | Octa Abutment H 4.0 JDIcon Plus |
| ICOA50. | Octa Abutment H 5.0 JDIcon Plus |
| ICOA60. | Octa Abutment H 6.0 JDIcon Plus |
| ICOAHC. | Healing Cap Octa Abutment JDIcon Plus |
| ICOAHC54. | Healing Cap Octa Abutment D 5.0 H 4.0 JDIcon Plus |
| ICOAICOTC. | Impression Coping Open Tray for Octa Abutment JDIcon Plus |
| ICOAR. | Octa Abutment Replica JDIcon Plus |
| ICOAPS. | Prosthetic Screw Octa Abutment JDIcon Plus |
| ICOAPSA. | Prosthetic Screw Angulated Octa Abutment JDIcon Plus |
| ICOAWANEC. | Wax-Up Abutment Non Engaging Octa Abutment JDIcon Plus |
| ICOATANEC. | Temporary Abutment Non Engaging Octa Abutment JDIcon Plus |
| ICOATAEC. | Temporary Abutment Engaging Octa Abutment JDIcon Plus |
| ICOAITC. | Interface CAD CAM Octa Abutment JDIcon Plus (Ø4.45 C7.3) |
| ICOAITEC. | Interface CAD CAM Engaging Octa Abutment JDIcon Plus (Ø4.45 C7.3) |
| ICOATIBC. | TiBase Octa Abutment JDIcon Plus (Ø4.45 C5.0) |
| ICOASBCEC. | ScanBody Octa Abutment JDIcon Plus |
| ICOARC. | Octa Abutment Replica CAD CAM JDIcon Plus |



Conical Abutment:

| | |
|------------|---|
| ICCA15C. | Conical Abutment H 1.5 JDIcon Plus |
| ICCA30C. | Conical Abutment H 3.0 JDIcon Plus |
| ICCA40C. | Conical Abutment H 4.0 JDIcon Plus |
| ICCA1725C. | Conical Abutment Angulated 17° H 2.5 JDIcon Plus |
| ICCA1735C. | Conical Abutment Angulated 17° H 3.5 JDIcon Plus |
| ICCA3025C. | Conical Abutment Angulated 30° H 2.5 JDIcon Plus |
| ICCA3035C. | Conical Abutment Angulated 30° H 3.5 JDIcon Plus |
| ICCASA. | Conical Abutment Angulated Screw JDIcon Plus |
| EVCAPS | Prosthetic Screw Conical Abutment JDEvolution |
| EVCAPSA | Prosthetic Screw Angulated for Conical Abutment JDEvolution |
| EVCAICOTEC | Conical Abutment Impression Coping Open Tray Engaging JDEvolution |
| EVCAICOTC | Conical Abutment Impression Coping Open Tray JDEvolution |
| EVCAICOTLC | Conical Abutment Impression Coping Open Tray Long JDEvolution |
| EVCAICOT02 | Screw for Conical Abutment Impression Coping Open Tray JDEvolution |
| EVCAICOT04 | Screw for Conical Abutment Impression Coping Open Tray Long JDEvolution |
| EVCAICCTC | Conical Abutment Impression Coping Closed Tray |
| EVCAHC | Conical Abutment Healing Cap JDEvolution |
| EVCAHCL | Conical Abutment Healing Cap H 6.0 JDEvolution |
| EVCAHC9 | Conical Abutment Healing Cap H 9.0 JDEvolution |
| EVCAHCB | Conical Abutment Healing Cap Peek JDEvolution |
| EVCAGPAEC | GP Abutment Engaging for Conical Abutment JDEvolution |
| EVCAGPANEC | GP Abutment Non Engaging for Conical Abutment JDEvolution |
| EVCATANWSC | Temporary Abutment Non Engaging Conical Abutment Smooth for Welding JDEvolution |
| EVCATANEC | Temporary Abutment Non Engaging Conical Abutment JDEvolution |
| EVCATANECW | Temporary Abutment Non Engaging Conical Abutment for Welding JDEvolution |
| EVCAWANEC | Wax-Up Abutment Non Engaging for Conical Abutment |
| EVCAAR | Conical Abutment Replica |



TiBase, JDScanBody and Implant Replica CAD CAM:

| | |
|--------------|---|
| ICSBCEC. | ScanBody Engaging JDIcon Plus |
| EVCASBCEC | ScanBody Conical Abutment JDEvolution |
| EVCASBCEEC | ScanBody Engaging Conical Abutment |
| EVCASBCEESC: | On Top ScanBody Conical Abutment JDEvolution Plus* |
| EVSCBOW | Scan Body for TiBase |
| ICTIBC. | TiBase engaging Ø4.25 H 0.5 C 4.7 JDIcon Plus |
| ICTIBNEC. | TiBase non engaging Ø4.25 H 0.5 C 4.7 JDIcon Plus |
| ICTIB15C. | TiBase engaging Ø4.25 H 1.5 C 4.7 JDIcon Plus |
| ICTIB15NEC. | TiBase non engaging Ø4.25 H 1.5 C 4.7 JDIcon Plus |
| ICTIB30C. | TiBase engaging Ø4.25 H 3.0 C 4.7 JDIcon Plus |
| ICTIB30NEC. | TiBase non engaging Ø4.25 H 3.0 C 4.7 JDIcon Plus |
| ICTIBNC. | TiBase long engaging Ø4.4 H 0.5 C 7.7 JDIcon Plus |
| ICTIBNENC. | TiBase Long Non Engaging Ø4.4 H 0.5 C 7.7 JDIcon Plus |
| ICTIB15NC. | TiBase Long Engaging Ø4.4 H 1.5 C 7.7 JDIcon Plus |
| ICTIB15NENC. | TiBase Long Non Engaging Ø4.4 H 1.5 C 7.7 JDIcon Plus |
| ICTIB30NC. | TiBase Long Engaging Ø4.4 H 3.0 C 7.7 JDIcon Plus |
| ICTIB30NENC. | TiBase Long Non Engaging Ø4.4 H 3.0 C 7.7 JDIcon Plus |
| ICTIB40NC. | TiBase Long Engaging Ø4.4 H 4.0 C 7.7 JDIcon Plus |
| ICTIB40NENC. | TiBase Long Non Engaging Ø4.4 H 4.0 C 7.7 JDIcon Plus |
| EVAITEC | Interface CAD CAM for Conical Abutment Engaging JDEvolution (H 7.5) |
| EVA139C | TiBase Engaging for Conical Abutment (H 5.0) |
| EVAITC | Interface CAD CAM for Conical Abutment Non Engaging JDEvolution (H 7.3) |
| EVCATIBC | TiBase for Conical Abutment JDEvolution (H 5.0) |
| ICANC. | Implant Replica CAD CAM JDIcon Plus |
| EVCAAR CN | Conical Abutment Replica CAD CAM New |
| ICPMNC. | Pre-milled Abutment Blank JDIcon Plus |



Torque recommended 30 Ncm



Torque recommended 30 Ncm



Torque recommended 15 Ncm



Torque recommended 30 Ncm

*Use JDEvolution Plus screwdriver for screwing

Conometric Abutment:

| | |
|------------|---|
| ICCP05C. | Conometric Abutment Straight H 0.5 JDIcon Plus |
| ICCP10C. | Conometric Abutment Straight H 1.0 JDIcon Plus |
| ICCP20C. | Conometric Abutment Straight H 2.0 JDIcon Plus |
| ICCP30C. | Conometric Abutment Straight H 3.0 JDIcon Plus |
| ICCP40C. | Conometric Abutment Straight H 4.0 JDIcon Plus |
| IC7CP20C. | Conometric Abutment Angulated 7.5° H 2.0 JDIcon Plus |
| IC15CP20C. | Conometric Abutment Angulated 15° H 2.0 JDIcon Plus |
| IC22CP20C. | Conometric Abutment Angulated 22.5° H 2.0 JDIcon Plus |
| EVA130C: | Cap With Pin for Intraoral Welding |
| EVA131C: | Cap for Partial or Full-Arch Fixed Prosthesis |
| EVA132C: | Anti-Rotation Cap for Single Element |
| EVCPIC | Conometric Abutment Impression Coping PEEK |
| EVCPAN | Conometric Abutment Replica |

Torque recommended 30 Ncm



Torque recommended 30 Ncm



Ball Abutment:

| | |
|---------|--|
| ICBA15. | Ball Abutment H 1.5 JDIcon Plus |
| ICBA30. | Ball Abutment H 3.0 JDIcon Plus |
| ICBA50. | Ball Abutment H 5.0 JDIcon Plus |
| EVBAA | Ball Abutment Replica |
| EVBAHC | Ball Abutment Elastic Retention Cap w/ Container |
| EVBAN | Ball Abutment Retention Cap |

Torque recommended 30 Ncm



Emi Abutment:

| | |
|----------|---|
| ICEMI15. | Emi Abutment H 1.5 JDEvolution Plus |
| ICEMI30. | Emi Abutment H 3.0 JDEvolution Plus |
| ICEMI50. | Emi Abutment H 5.0 JDEvolution Plus |
| EVEMISCK | Smart cap attachment Emi Abutment |
| EVEMIHC | Emi Abutment Elastic Retention Cap w/ Container |
| EVEMIN | Emi Abutment Elastic Retention Cap (1.2 kg) |
| EVEMIH | Emi Abutment Container |
| EVEMIIC | Emi Abutment Plastic Impression Coping |
| EVEMIICS | Emi Abutment Steel Impression Coping |
| EVEMINT | Emi Abutment White Retention Cap (1.8 kg) |
| EVEMINY | Emi Abutment Yellow Retention Cap (0.6 kg) |
| EVEMINP | Emi Abutment Purple Retention Cap (2.5 kg) |
| EVEMINB | Emi Abutment Retention Cap for Laboratory |

Torque recommended 30 Ncm



EVEMIA
 EVEMIEIT

Emi Abutment Replica
 Extractor-insertion Tool For Caps



Implant replica:

ICAN. Implant Replica JDIcon Plus



Bone Mill:

ICBM5C. Bone Mill Ø 5.0 and Guide JDIcon Plus
 ICBM6C. Bone Mill Ø 6.0 and Guide JDIcon Plus
 ICBMG. Bone Mill Guide JDIcon Plus



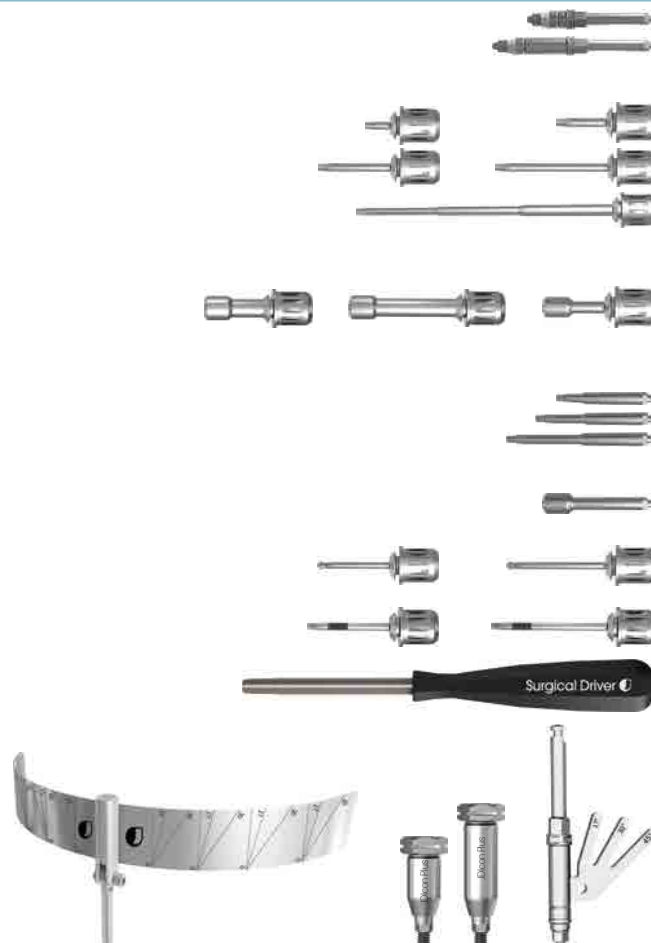
Short Drills:

JDDICS4 Short Drill Ø 4mm L 6 JDIcon Plus
 JDDICS4D Short Drill Ø 4mm L 6 Dense Bone JDIcon Plus
 JDDICS5 Short Drill Ø 5mm L 6 JDIcon Plus



Implant and Prosthetic Drivers:

ICID. Implant Driver JDIcon Plus
 ICIDL. Implant Driver Long JDIcon Plus
 EVSDPF15 Prosthetic Driver for JDTorque L 15
 EVSDPF20 Prosthetic Driver for JDTorque L 20
 EVSDPF25 Prosthetic Driver for JDTorque L 25
 EVSDPF35 Prosthetic Driver for JDTorque L 35
 EVSDPF60 Prosthetic Driver for JDTorque L 60
 ICOASDF. Octa Abutment Driver for JDTorque
 ICOASDFL. Octa Abutment Driver Long for JDTorque
 EVSDCAF Conical Abutment Driver for JDTorque
 EVSDP20 Prosthetic Driver L 20
 EVSDP25 Prosthetic Driver L 25
 EVSDP30 Prosthetic Driver L 30
 EVSDCA Conical Abutment Driver
 EVSDPF25A Angulated Screw Driver for JDTorque L 25
 EVSDPF30A Angulated Screw Driver for JDTorque L 30
 ICATR27. Abutment Removal Driver L 27 JDIcon Plus
 ICATR34. Abutment Removal Driver L 34 JDIcon Plus
 EVSUD Surgical Driver JDEvolution
 JDG JDGuide
 ICGMC. Implant Mounter for JDIcon Plus
 ICGMLC. Implant Mounter Long for JDIcon Plus
 JDID105 Conical Abutment Aligning Instrument JDIcon Plus



Direction indicators:

JDDI Direction Indicator
 JDDIS Direction Indicator Short
 JDDI17 Direction Indicator 17°
 JDDI30 Direction Indicator 30°
 JDDI45 Direction Indicator 45°



DRILLING PROTOCOLS

It is recommended to adhere to the indications of the following drilling sequence to ensure optimal primary stability of the implant

site preparation in maxilla

| IMPLANT DIAMETER | HEALED BONE | | POST EXTRACTIVE BONE | |
|------------------|---|--|---|---|
| | SOFT BONE | MEDIUM-DENSE BONE | SOFT BONE | MEDIUM-DENSE BONE |
| Ø 3,7 | 2,0 2,4 2,8 up to the 1 st laser mark L 6mm | 2,0 2,4 2,8 3,2 up to the 1 st laser mark L 6mm | 2,0 2,4 2,8 at the entrance | 2,0 2,4 2,8 at the entrance |
| Ø 4,3 | 2,0 2,4 2,8 3,2 at the entrance | 2,0 2,4 2,8 3,2 up to the 1 st laser mark L 6-8mm 3,6 at the entrance | 2,0 2,4 2,8 3,2 at the entrance | 2,0 2,4 2,8 3,2 at the entrance |
| Ø 5,0 | 2,0 2,4 2,8 3,2 3,6 up to the 1 st laser mark L 6mm | 2,0 2,4 2,8 3,2 3,6 up to the 1 st laser mark L 6mm 4,0 at the entrance | 2,0 2,4 2,8 3,2 3,6 at the entrance up to the 1 st laser mark L 6mm | 2,0 2,4 2,8 3,2 3,6 at the entrance up to the 1 st laser mark L 6mm |



Short Implant L 6mm
JDIcon Plus insertion
in maxilla

| | |
|--------------------------------|---|
| short Ø 4,3 L 6 | Use the Ø 4mm L6 JDIcon Plus+ drill JDDICS4 |
| short Ø 5,0 L 6 | Use the Ø 4mm L6 JDIcon Plus+ drill JDDICS4D |

Note: all measurements in mm

site preparation in mandible

| IMPLANT DIAMETER | HEALED BONE | | POST EXTRACTIVE BONE | |
|------------------|---|--|--|--|
| | SOFT BONE | MEDIUM-DENSE BONE | SOFT BONE | MEDIUM-DENSE BONE |
| Ø 3,7 | 2,0 2,4 2,8 3,2 at the entrance 3,6 at the entrance up to the 1 st laser mark L6mm | 2,0 2,4 2,8 3,2 3,6 up to the 1 st laser mark L 6mm | 2,0 2,4 2,8 3,2 at the entrance | 2,0 2,4 2,8 3,2 at the entrance |
| Ø 4,3 | 2,0 2,4 2,8 3,2 3,6 at the entrance 4,0 at the entrance up to the 2 nd laser mark L8mm | 2,0 2,4 2,8 3,2 3,6 4,0 up to the 2 nd laser mark L8mm 4,4 up to the 1 st laser mark L 6mm | 2,0 2,4 2,8 3,2 3,6 at the entrance | 2,0 2,4 2,8 3,2 3,6 at the entrance |
| Ø 5,0 | 2,0 2,4 2,8 3,2 3,6 4,0 4,4 at the entrance 4,8 at the entrance | 2,0 2,4 2,8 3,2 3,6 4,0 4,4 4,8 at the entrance | 2,0 2,4 2,8 3,2 3,6 4,0 at the entrance | 2,0 2,4 2,8 3,2 3,6 4,0 at the entrance |



Short Implant L 6mm
JDIcon Plus insertion in
mandible

| | |
|--------------------------------|--|
| short Ø 4,3 L 6 | Start the osteotomy with standard twist drill Ø 2,0mm, Ø 2,4mm and Ø 2,8mm. Complete with the Ø 4mm L6 JDIcon Plus+ drill JDDICS4D |
| short Ø 5,0 L 6 | Start the osteotomy with standard twist drill Ø 2,0mm, Ø 2,4mm and Ø 2,8mm. Complete with the Ø 5mm L 6 JDIcon Plus+ drill JDDICS5 |

Note: all measurements in mm